

MODEL 1000 STABILISED POWER SUPPLY

- ! Low Cost
- ! Easy to Use
- ! Current Limited
- ! Short Circuit Proof
- ! 11 pin plug in
- ! Power LED

The model 1000 is a straight forward stabilised power supply designed primarily for 4-20mA current loops.

The standard output voltage is 24V DC however other voltages are available on request.

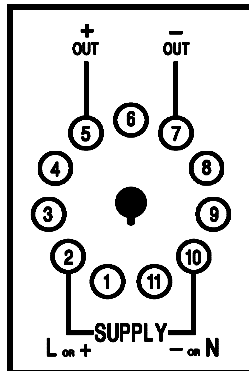
The circuit uses a linear regulator with current limiting designed to withstand a continuous short circuit on the output.

Available current limits are 30mA, 65mA, 130mA & 200mA.

The industry standard 11 pin configuration allows ease of installation and replacement in the field.



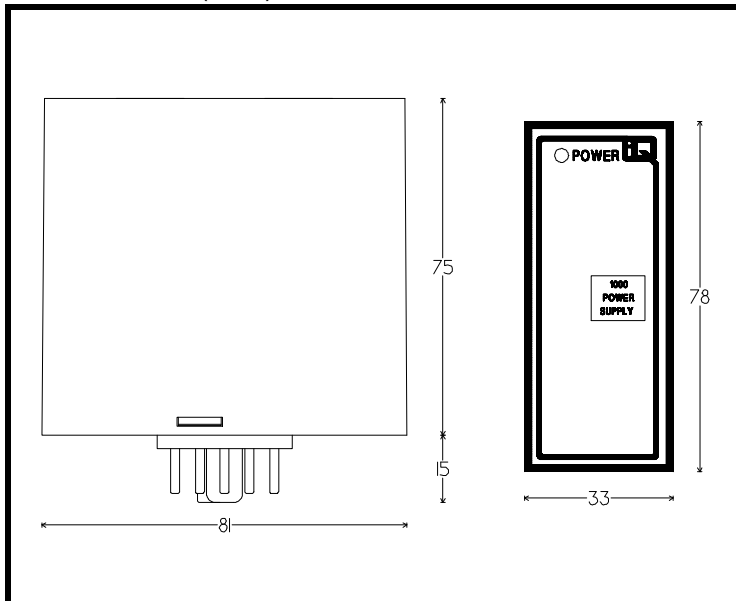
CONNECTIONS



SPECIFICATIONS

Power Supply	230V 50/60Hz 115V 50/60Hz
Output Voltage	24V DC \pm 0.1V
Ripple	20mV
Load Regulation	15mV ($\Delta I_L = 50\%$ of rated output)
Current Limit	30mA 65mA 130mA 200mA
Short Circuit Duration	5 minutes for 200mA Others indefinite
Operating Temperature	-5 to +60°C

DIMENSIONS (mm.)



IQ INSTRUMENTS CC

P.O. Box 1411 RANDBURG 2125

2, Fontainebleau Commercial Park
69, Martha Road, Fontainebleau
Randburg, South Africa

Tel. +27 11 792 1210

Fax. +27 11 793 6863

E-mail: sales@iqinstruments.com

Home Page: <http://www.iqinstruments.com>