

MODEL 1100AC SIGNAL CONVERTER

- ! **Made in South Africa**
- ! **Sink or Source**
- ! **Averaging or True RMS**
- ! **Compact Size**
- ! **Low Cost**
- ! **Plug In**

The model 1100AC is a signal converter designed to convert AC current or voltage signals into 4-20mA for control loops.

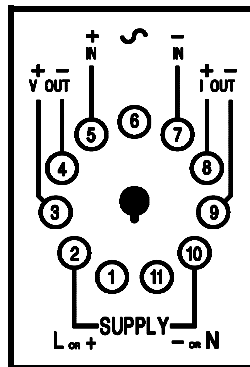
The unit is a compact, mains powered 11 pin plug-in module and includes a 24V DC power supply for the output. This enables the model 1100 to sink or source the 4-20mA signal.

This unit is available with either an averaging circuit for sinusoidal waveforms or a true RMS converter circuit to provide optimum accuracy for applications where the waveform is not sinusoidal, such as variable speed drives.

This unit is designed for low amplitude input signals where isolation between input and output is not required. Where isolation is required we recommend the use of the pin compatible model 1120.



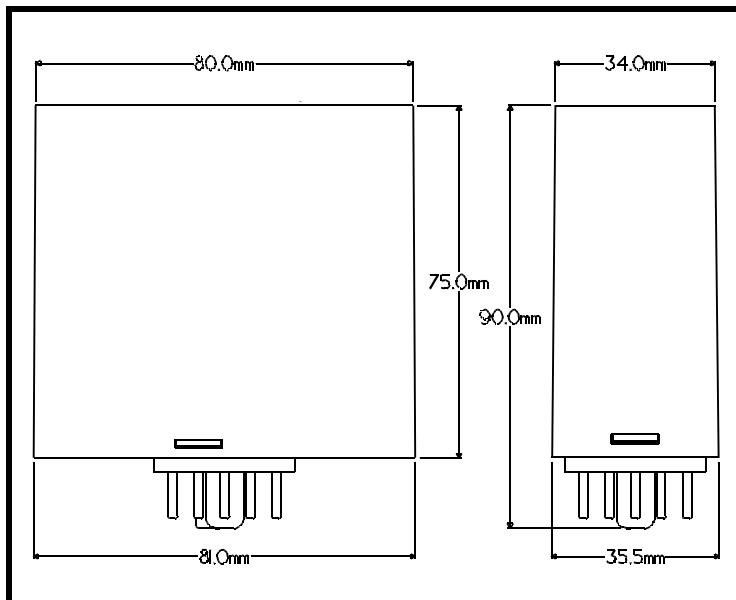
CONNECTIONS



SPECIFICATIONS

INPUT SIGNAL Options	0-50mV, 0-60mV 0-200mV, 0-5V 0-1A, 0-5A To customer order
OUTPUT SIGNAL Options	0-1mA, 0-10mA, 4-20mA, 0-20mA, 1-5V, 0-10V To customer order
POWER SUPPLY Options	110V 50 Hz 230V 50 Hz
POWER CONSUMPTION	3VA max
INPUT LOADING	Depends on input range
OUTPUT IMPEDANCE	250ohm for 20mA/5V 500ohm for 20mA/10V
OUTPUT DRIVE VOLTAGE (4-20mA)	24V current limited at 30mA
ACCURACY	< 0.5% FS (sine wave)

DIMENSIONS



IMC. QUANTA INSTRUMENTS CC
P.O. Box 1411 RANDBURG 2125

2, Fontainebleau Commercial Park
69 Martha Street, Fontainebleau, Randburg

Tel. (011) 792 1210 Fax. (011) 793 6863

E-mail: sales@iqinstruments.com

Home Page: <http://www.iqinstruments.com>