

MODEL 1120AC SIGNAL ISOLATOR

- ! **Made in South Africa**
- ! **Sink or Source**
- ! **Average or True RMS**
- ! **Compact Size**
- ! **Low Cost**
- ! **Plug In**

The model 1120AC is a signal isolator designed to convert AC current or voltage signals into 4-20mA for control loops.

The unit is a compact, mains powered 11 pin plug-in module and includes a 24V DC power supply for the output. This enables the model 1120 to sink or source the 4-20mA signal.

Isolation is achieved by an internal voltage or current transformer on the input with a 2.5KV rating.

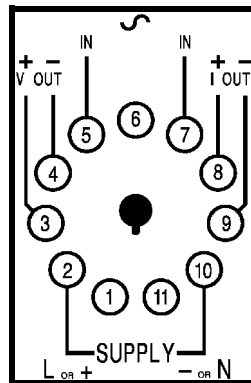
This unit can be supplied with either an averaging circuit for sinusoidal waveforms or a true RMS converter circuit to provide optimum accuracy for applications where the waveform is not sinusoidal, such as variable speed drives.

Safety Note.

Ensure that the input voltage or current is not present before inserting or removing the unit from its socket. This is especially important when used with a current transformer because of the high secondary voltages which may be generated.



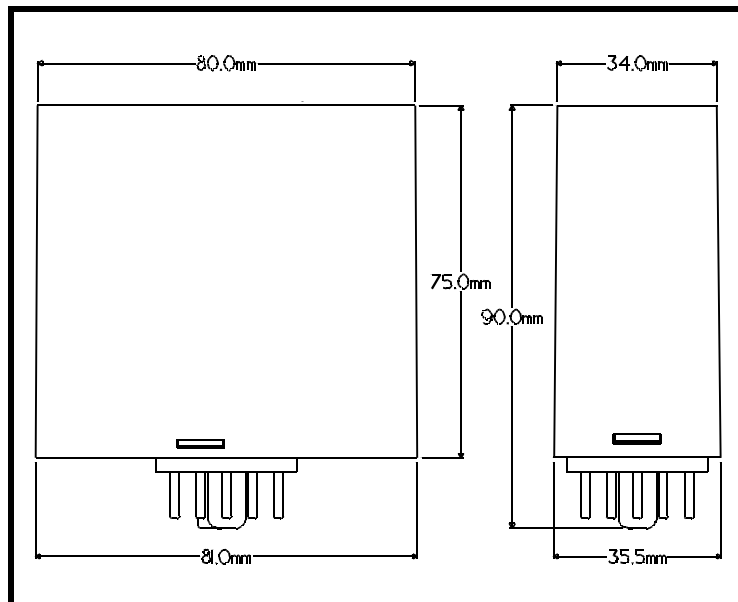
CONNECTIONS



SPECIFICATIONS

INPUT SIGNAL Options	0-1A AC, 0-5A AC 0-400V AC, 0-600V AC To customer order
OUTPUT SIGNAL Options	0-1mA, 0-10mA, 4-20mA, 0-20mA, 1-5V, 0-10V To customer order
POWER SUPPLY Options	115V 50/60 Hz 230V 50/60 Hz
POWER CONSUMPTION	3VA max
INPUT LOADING	1.5VA approx.
OUTPUT IMPEDANCE	250ohm for 20mA/5V 500ohm for 20mA/10V
OUTPUT DRIVE VOLTAGE (4-20mA)	24V current limited at 30mA
TRACKING ACCURACY	< 0.5% FS
ISOLATION VOLTAGE	2KV

DIMENSIONS



IMC. QUANTA INSTRUMENTS CC
P.O. Box 1411 RANDBURG 2125

2 Fontainebleau Commercial Park
69 Martha Sreet, Fontainebleau, Randburg

Tel. (011) 792 1210 Fax. (011) 793 6863
E-mail: sales@iqinstruments.com
Home Page: <http://www.iqinstruments.com>