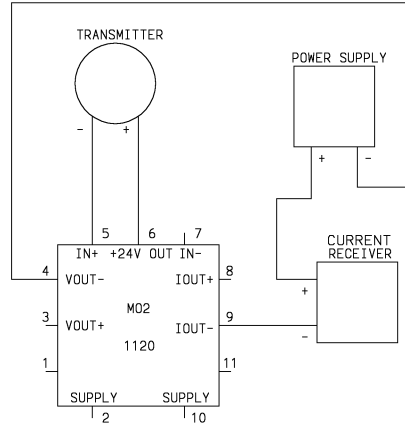
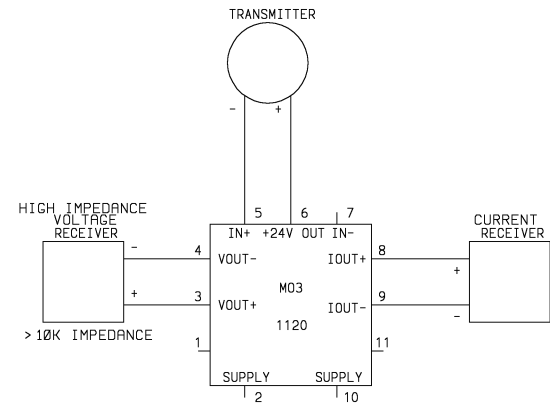


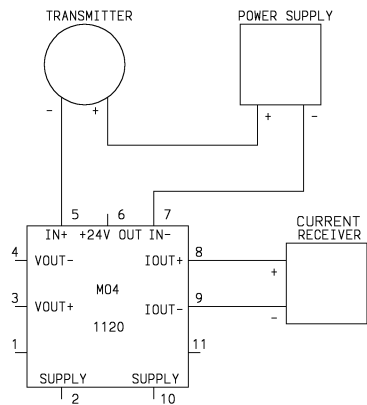
CONFIGURATION USING ON BOARD POWER SUPPLIES FOR INPUT & OUTPUT



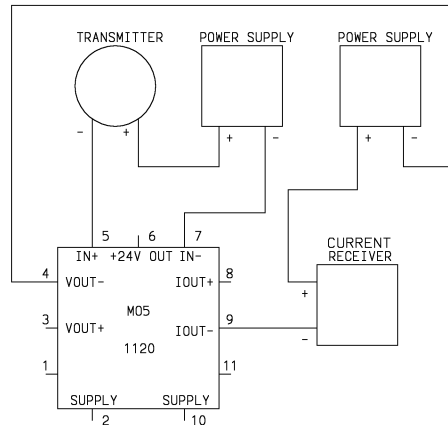
CONFIGURATION USING ON BOARD POWER SUPPLY FOR INPUT AND EXTERNAL POWER SUPPLY FOR OUTPUT



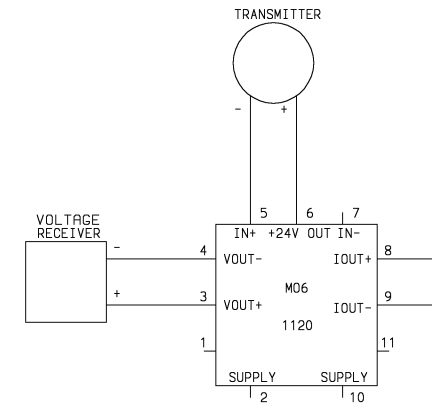
USING CURRENT AND VOLTAGE OUTPUTS SIMULTANEOUSLY



CONFIGURATION USING ON BOARD POWER SUPPLY ON OUTPUT AND EXTERNAL POWER SUPPLY ON INPUT



USING EXTERNAL POWER SUPPLIES FOR INPUT AND OUTPUT



CONFIGURATION FOR VOLTAGE OUTPUT

COMPONENT VALUES MAY CHANGE DEPENDING ON CALIBRATION - REFER TO COMPONENT LISTS

REV	DATE	DESCRIPTION	PCB REF	DRAWN	CHECK
0	2 April 1996			FRP	

IMC. QUANTA INSTRUMENTS CC.
P.O. BOX 1411 RANDBURG 2125 TEL (011) 792 1210
FAX (011) 793 6863

GENERAL NOTES ON USE OF MODEL 1120

DATE 02/04/96 SHEET 1 OF 1 REVISION 0 DRAWING No. 1120AN00
COPYRIGHT IMC. QUANTA INSTRUMENTS CC MAY NOT BE REPRODUCED WITHOUT PERMISSION