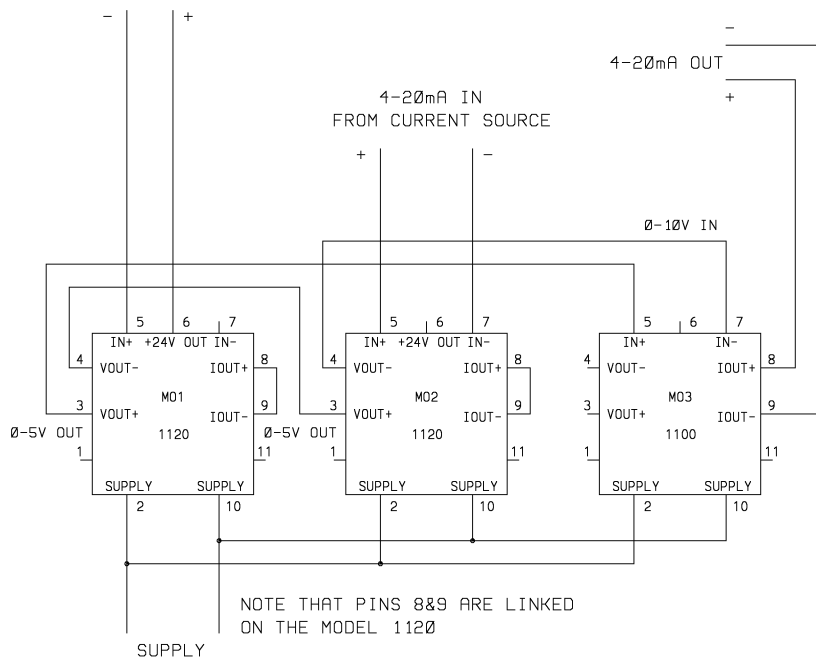


4-20mA IN
FROM CURRENT SINK
EG. LOOP POWERED TRANSMITTER

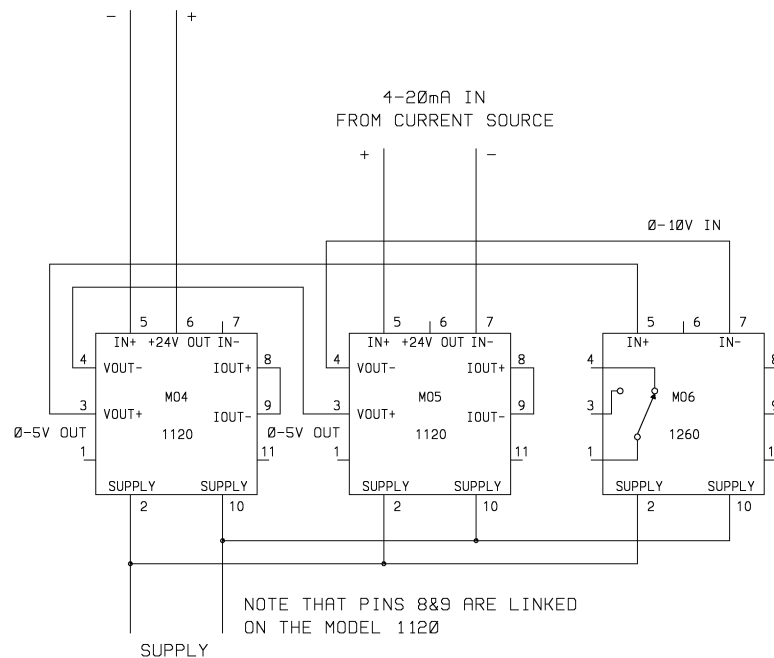
INPUT CONFIGURATION
DEPENDS ON APPLICATION



4-20mA IN/4-20mA OUT

4-20mA IN
FROM CURRENT SINK
EG. LOOP POWERED TRANSMITTER

INPUT CONFIGURATION
DEPENDS ON APPLICATION



4-20mA IN/SINGLE SET POINT

COMPONENT VALUES MAY CHANGE DEPENDING ON CALIBRATION - REFER TO COMPONENT LISTS

REV	DATE	DESCRIPTION	PCB REF	DRAWN	CHECK
0	2 April 1996			FRP	

IMC. QUANTA INSTRUMENTS CC.

P.O. BOX 1411 RANDBURG 2125 TEL (011) 792 1210 FAX (011) 793 6863

4-20mA SUMMING/AVERAGING USING 2 x MODEL 1120

DATE 02/04/96 SHEET 1 OF 1 REVISION 0 DRAWING No. 1120AN02

COPYRIGHT IMC. QUANTA INSTRUMENTS CC MAY NOT BE REPRODUCED WITHOUT PERMISSION