

MODEL 600 PHASE FAILURE/REVERSAL RELAY

FEATURES

- ! **Low Cost**
- ! **Easy to Use**
- ! **11 pin plug in**
- ! **Relay LED**

This module is designed to protect three phase equipment from accidental reversal of the phases and/or loss of a phase.

Applications include portable compressors and other motor driven equipment which would work in reverse if the phase sequence is incorrect.

The relay only energises when all three phases are present and in the correct sequence.

This is a basic go/no go unit in which supply voltage and phase angle limits are not defined.

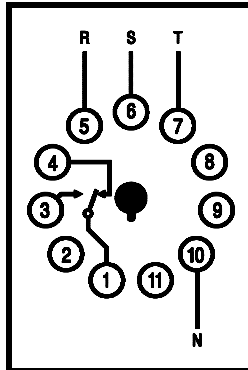
A one second delay on relay operation prevents relay chatter on intermittent supply problems.

A green LED indicates that the relay is energised.

The model 600/4 requires a neutral and also provides neutral break protection. The model 600/3 is for applications where no neutral is available.



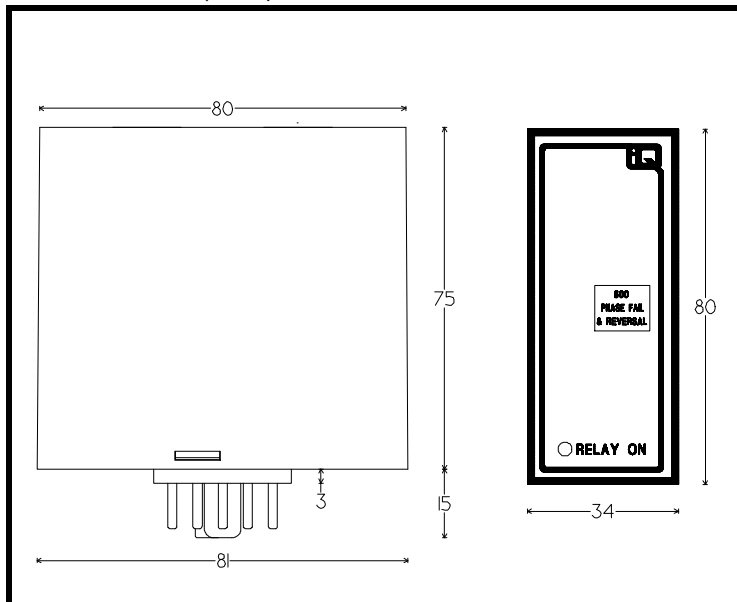
CONNECTIONS



SPECIFICATIONS

Power Supply	400V 50Hz ±15% Phase to phase Other supplies to order
Relay Rating SPDT (Max.)	10AC 400VAC 2500VA 10A 30V DC
Time Delay on operate	1 - 1.5 secs
Power Consumption	3VA approx.
Operating Temperature	-5 to +60°C
Operating Humidity	0~90% Non Condensing

DIMENSIONS (mm.)



IMC. QUANTA INSTRUMENTS CC
P.O. Box 1411 RANDBURG 2125

9 Fountaingate, 84 Maria St.
Fontainebleau Randburg

Tel. (011) 792 1210 Fax. (011) 793 6863

E-mail: sales@iqinstruments.com

Home Page: <http://www.iqinstruments.com>